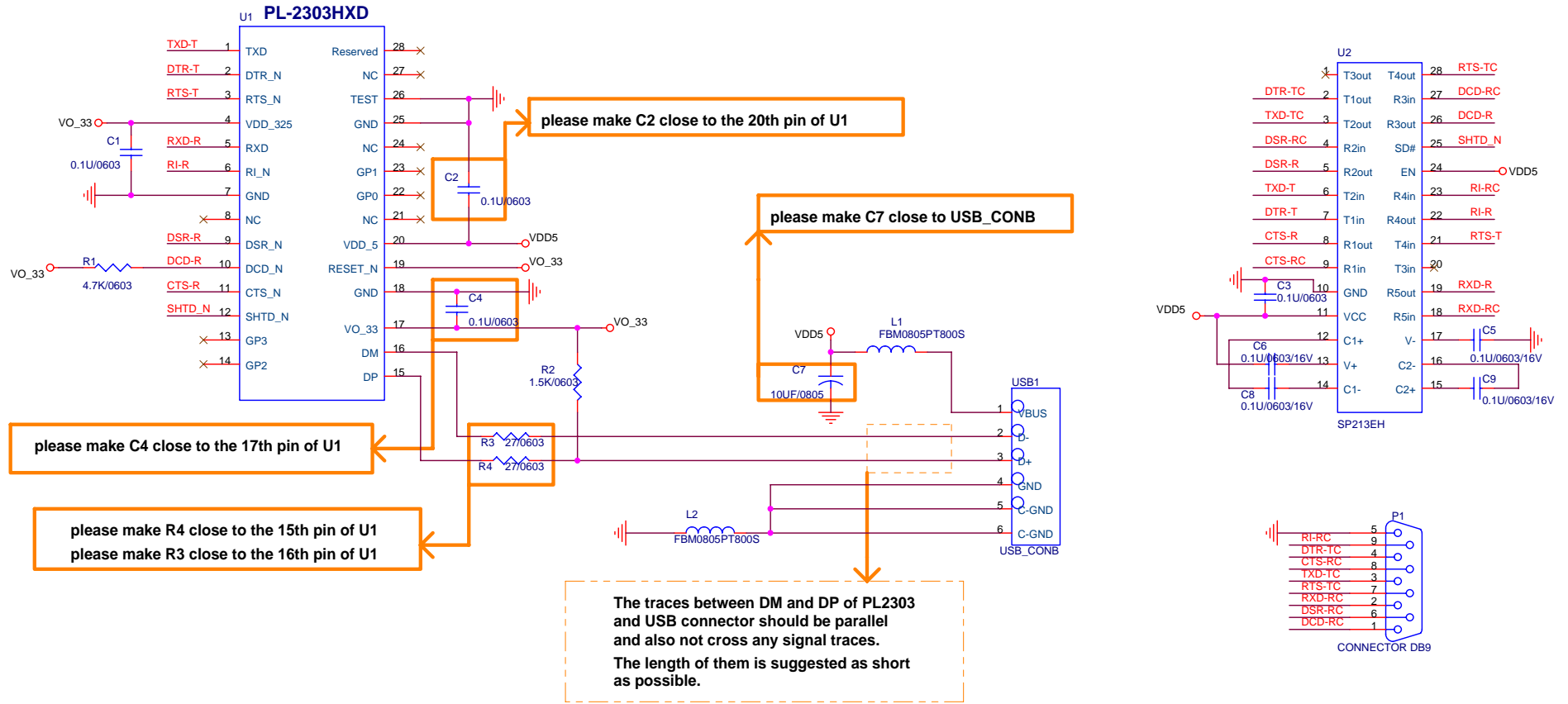



Application for RS-232 Transceiver



	Drawing Name PL-2303HXD		Designer <i>name</i>	Size B
	Version 1.0	Date 04/01/2006	Sheet 1 of 1	